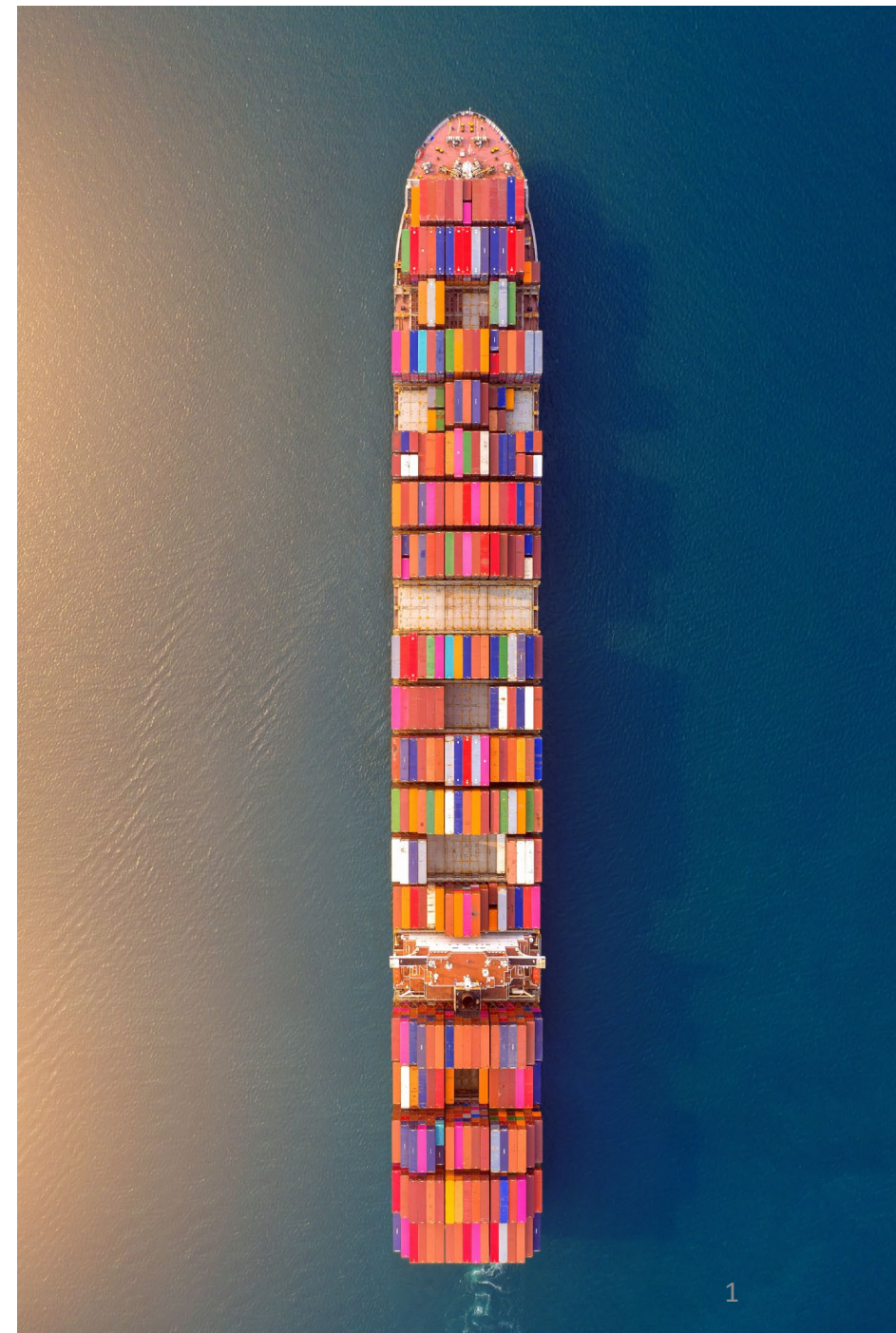
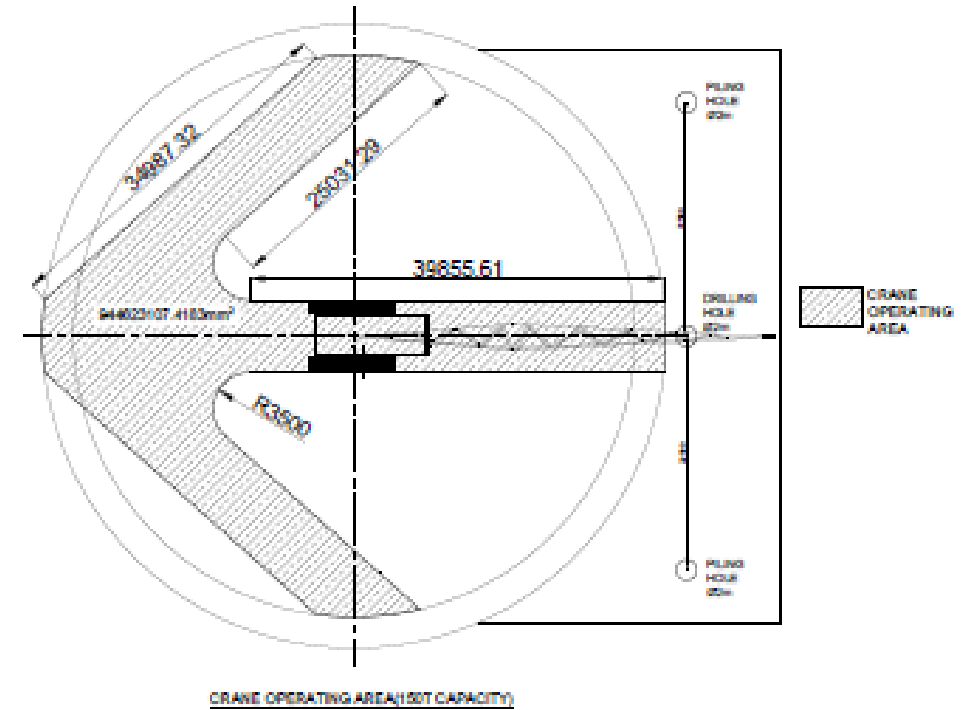
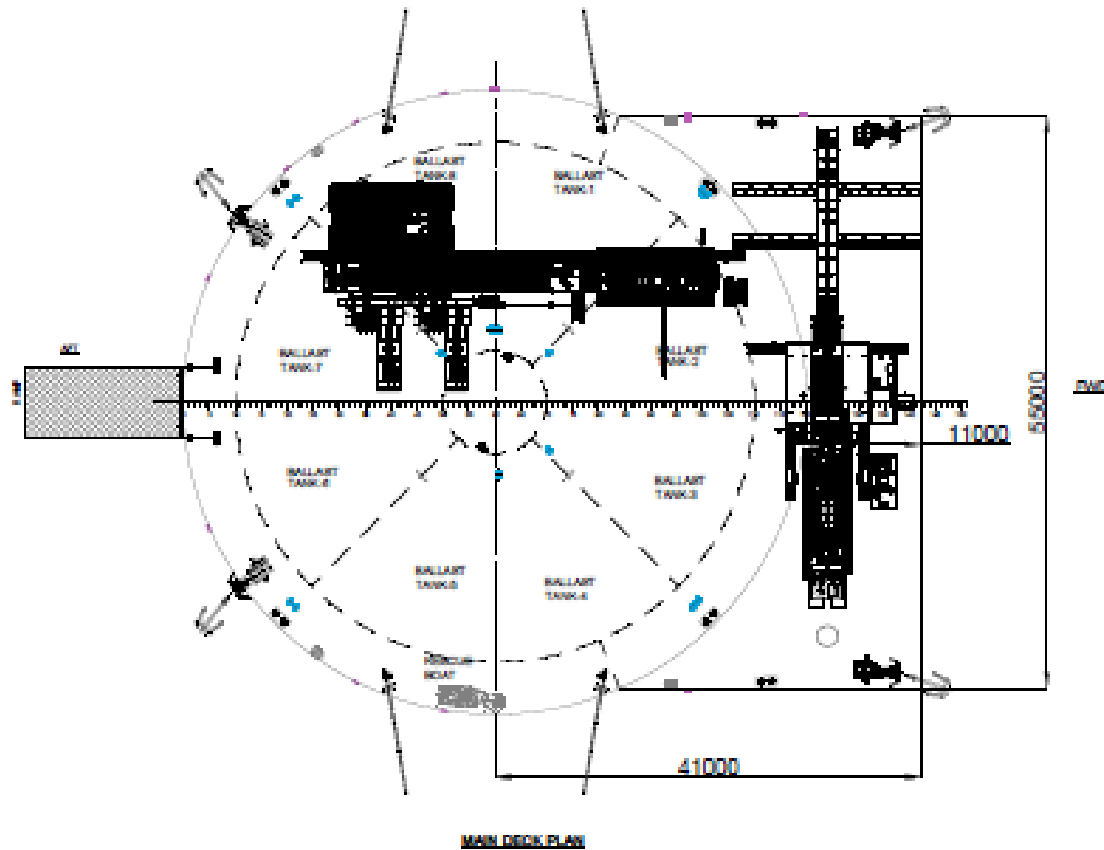


CHM GLOBAL

*WE LOOK AT IT FROM
A DIFFERENT POINT OF
VIEW TO DELIVER YOUR
EXPECTATIONS*



General Arrangement Diagram : Circular Jack-up Barge

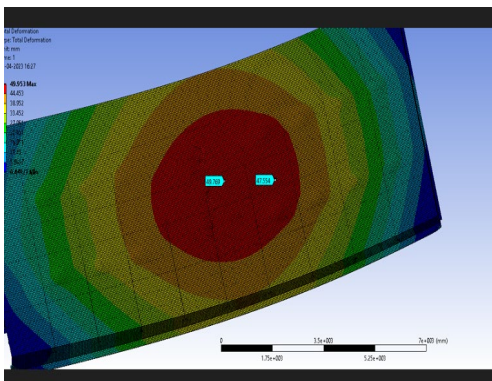


Ramp Analysis - 01

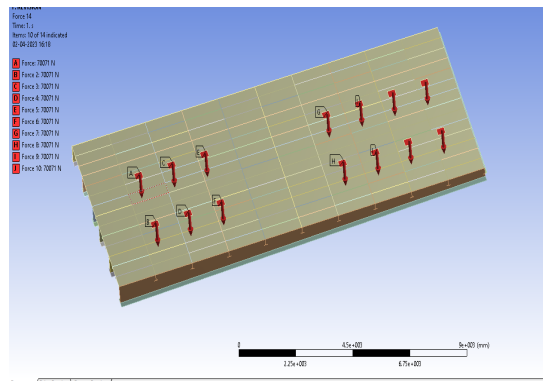
For Circular Jack-up Barge

- ❖ The objective is to evaluate the performance of the ramp subjected to a shock load, identify areas for structural improvements and recommend design changes.
- ❖ Software : Ansys →

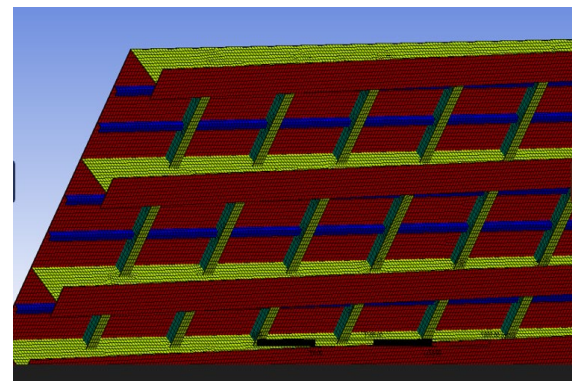
Deformation Detail



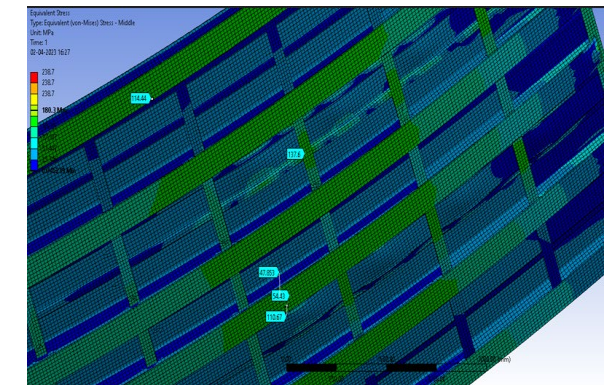
Loading Detail



Meshed Model



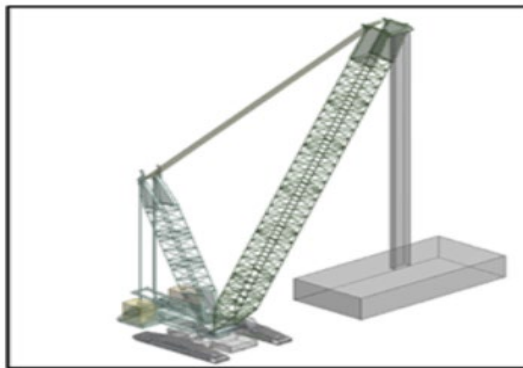
Von Mises Detail



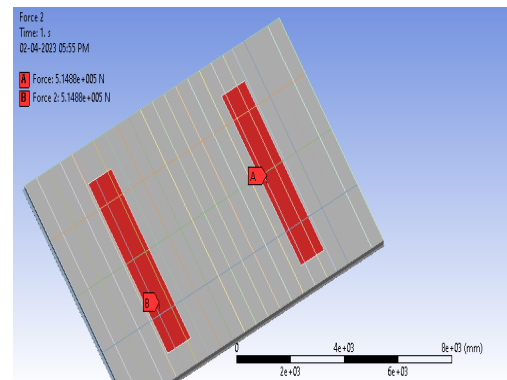
Crawler Crane Analysis For Circular Jack-up Barge

- ❖ The objective to analyze the motion of the crawler crane on barge and performing the strength calculations.
- ❖ Conducted finite element analysis (FEA) to obtain a continuous map of the pressure distribution, which provides a more accurate view of the load distribution than traditional statics methods.
- ❖ Crawler Crane : Sany 150 Ton.

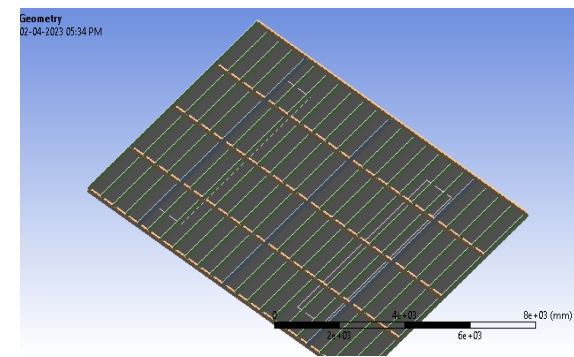
Loading Detail



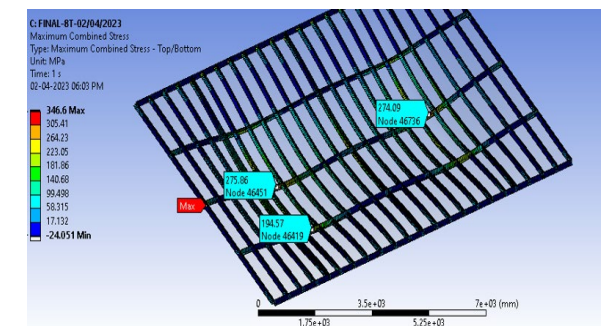
Max. Combined Stress



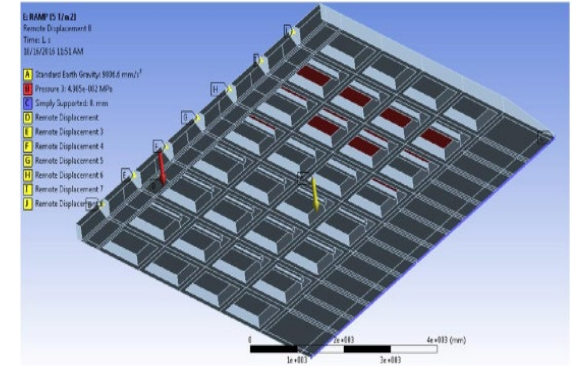
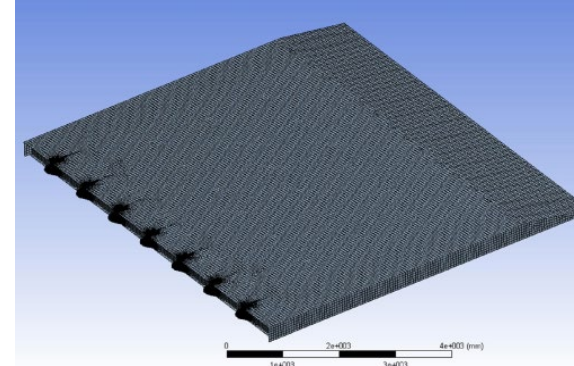
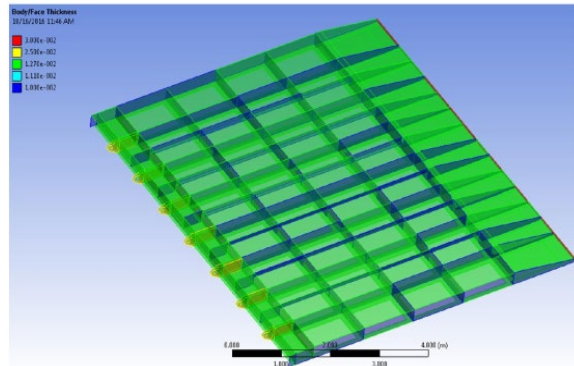
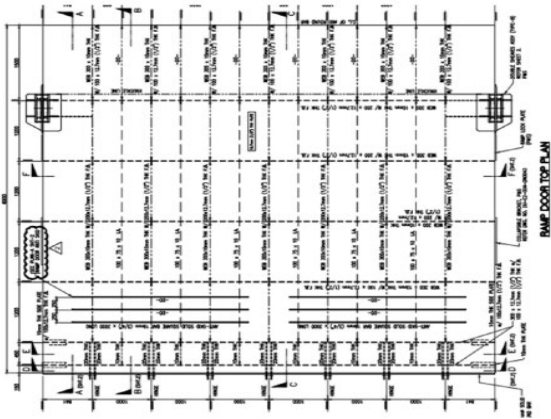
Part Detail



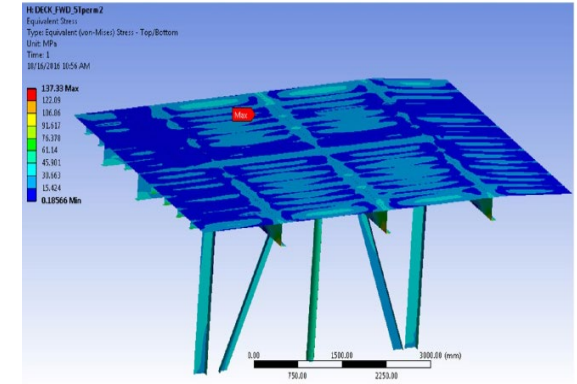
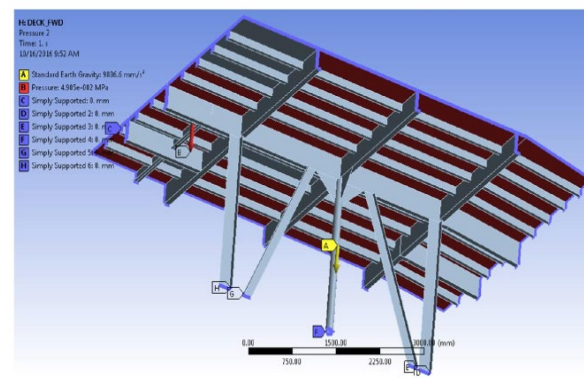
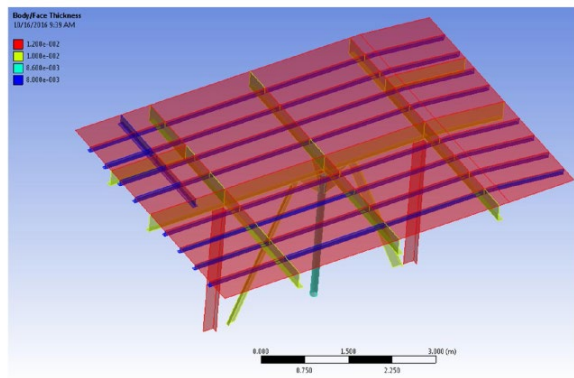
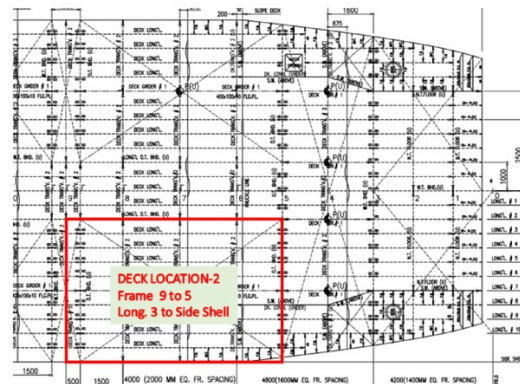
Von Mises Detail



Ramp Analysis - 02 For Barge



Strength Analysis For Deck



CHM GLOBAL

Qatar | Bahrain | Oman | UAE | India | UK

www.chm-global.com

CHM Global LLC, Qatar

Email: info@chm-global.com

CHM Global WLL, Bahrain

Email: bahrain@chm-global.com

CHM Global SPC, Sultanate of Oman

Email: oman@chm-global.com

CHM Global LLC, UAE

Email: uae@chm-global.com

CHM Global Pvt Ltd, India

Email: india@chm-global.com

CHM Global UK Limited, United Kingdom

Email: uk@chm-global.com